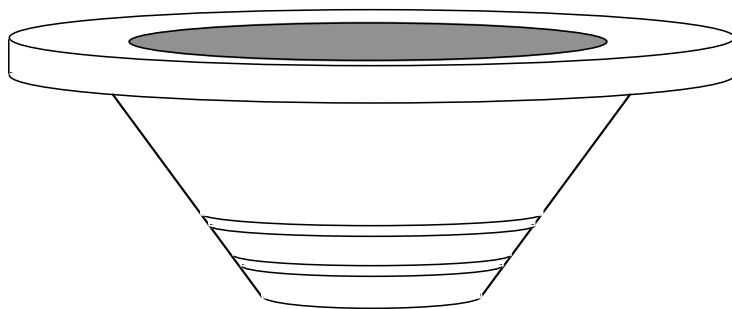


INDUSTRIAL CERAMIC PRODUCTS, INC.
 14401 Suntra Way
 Marysville, OH 43040
 Ph (800) 427-2278 Fax (937) 644-2646



Title: **IC-175 Pour Cup**

Industrial Ceramic Products, Inc.
 Marysville, OH

Scale: Full Drw'n by T.M.

Date: 10/31/02 Chc'k by RCO

This document and the information contained therein is proprietary to Industrial Ceramic Products, Inc and shall not be used or disclosed to others, in whole or in part, without the written authorization of Industrial Ceramic Products, Inc.